

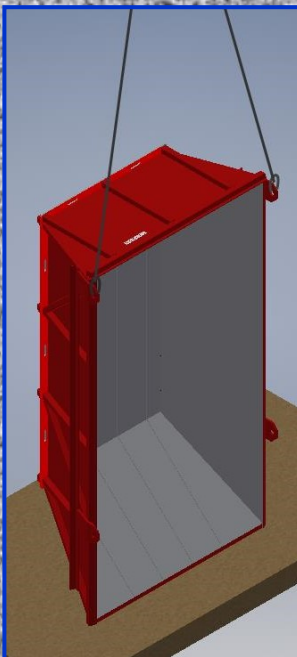
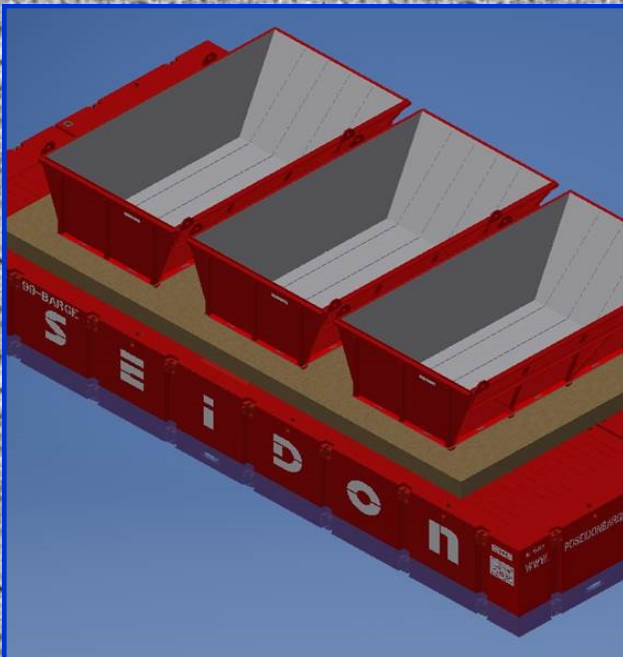


Poseidon Barge Dredge / Rock Box

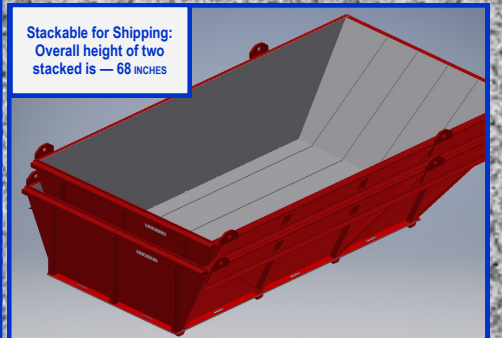
The Poseidon Dredge / Rock Box is designed for heavy duty use on your construction projects. Designed to hold dredging spoils from Mechanical Dredging, the Poseidon Dredge Box can be loaded & off loaded with an excavator or picked with a crane using the (4) built in pick points. The box can be emptied by disconnecting two of the crane lines and dumping out the box or with the excavator bucket.

HEAVY DUTY CONSTRUCTION INCLUDES:

- 1/2" GR A-36 Steel Sides and end panels.
- 3/4" GR A-36 Steel Bottom panels.
- 4 rows of 1/2" x 2-1/2" steel ribs on the bottom & sloped end for added protection when digging out with an excavator bucket.
- Weep holes on the sides allow water to drain out.
- Designed to stack for shipping.
- 15' Long x 9' Wide x 4'6" Tall.
- Physical Weight 7,950 lbs holding 12.5 Cubic Yards of material.
- 4 point lifting eyes on the top or 3" x 3" tubing on the bottom allow the boxes to be lifted by fork truck from the side.
- Units are for sale or for rent.



Stackable for Shipping:
Overall height of two
stacked is — 68 INCHES



POSEIDON® BARGE

MID-AMERICA FOUNDATION SUPPLY INC d/b/a POSEIDON® BARGE
3101 NEW HAVEN AVE, FORT WAYNE, IN 46803
PH: 866-99-BARGE; FAX 260-424-8635; WEBSITE; www.poseidonbarge.com